

I3 - INDIVIDUAL EQUIPMENT OF SHUTDOWN
EQUIPMENT FAULT TRIGGERED BY PLC
MANUAL PUSH BUTTON TO SHUTDOWN

I 1 - PLANT S/D - WDP>0°C:BDV 101 TO OPEN
SDV 102 TO CLOSE

I 2 - PLANT S/D - CONFORMED FIRE . SDV 101 TO CLOSE,
BDV 101 TO OPEN . SDV 102 TO CLOSE,
INDIVIDUAL BLOW DOWN OF COMPRESSOR,
INDIVIDUAL BLOW DOWN OF GDU TO
OPEN ODU TO STOP

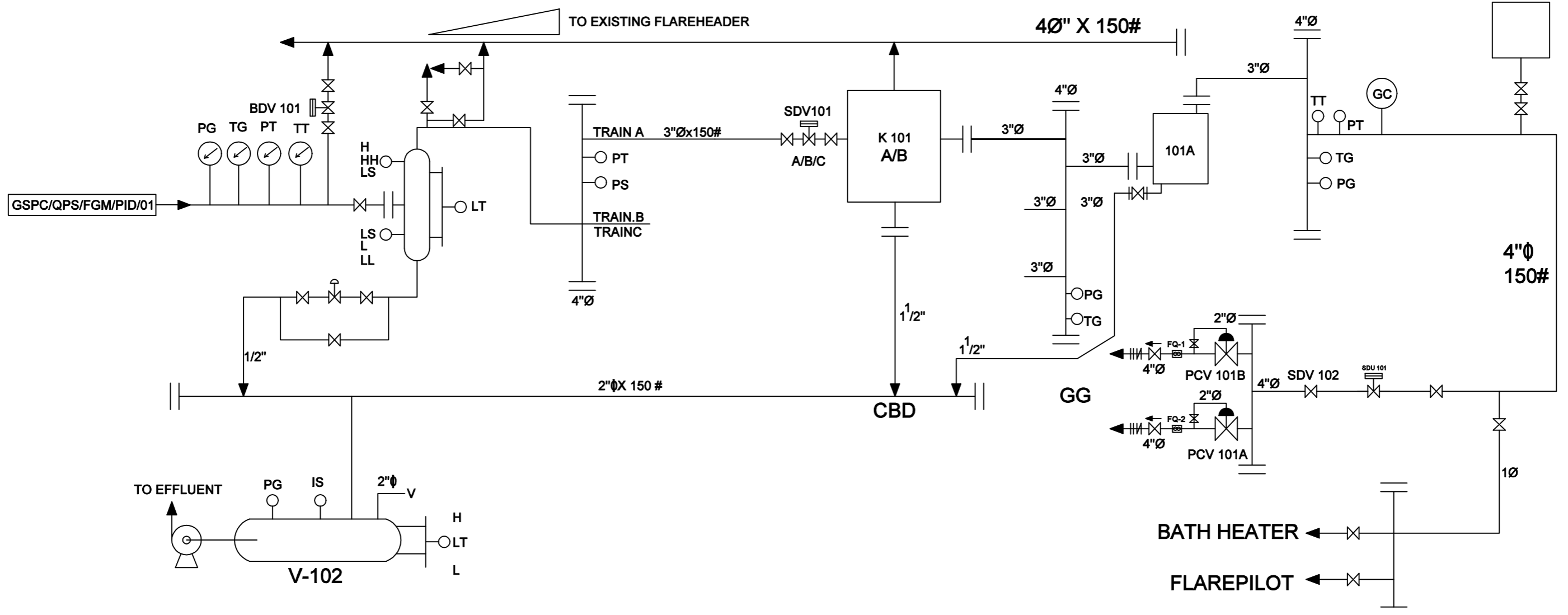
CLOSE BLOW DOWN
DRUM
2m³
V-102

COMMON INLET
KNOCK OUT DRUM
7500 SCMD
V-101

RECIPROCATING
COMPOESSOR
3500 SCMDX2
K-101A/B

MEMBRANE
GAN DEHYDRATION UNIT
7000 SCMD
X-101A

ODORANT
UNIT



CLIENT	GUJARAT STATE PETROLEUM CORPORTION LTD				
P.O. NO.	QPS-SE#3				
TITLE	FLARE GAS MONETIZATION P & ID				
DRAWN BY	RCAD	DATE	00.00.00	DRAWING NO.	REV.
CHECKED BY	SKS	SCALE	0 : 00	GSPC/QPS/ FGM/PID/01	1
APPROVED BY	PHR	QTY.	-		

GUJARAT ENERGY RESEARCH & MANAGEMENT

REV.NO	DESCRIPTION	DATE	DRAWN	APPD.